



HİDRO PNÖMATİK KRİKOLAR

HYDRO PNEUMATIC JACKS

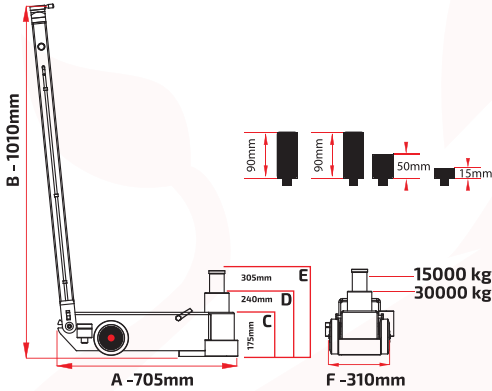
Ürün Kataloğu
Product Catalogue



2022

HİDRO PNÖMATİK KRİKOLAR

HYDRO PNEUMATIC JACKS



HK-3015



1 YIL GARANTİLİ
YEARS WARRANTY

KOD CODE	MODEL MODEL	BAR BAR	1.KAD. (TON)	2.KAD. (TON)	A (mm)	B (mm)	C (mm)	D (mm)	E (mm)	F (mm)	G (mm)	AĞIRLIK WEIGHT
HK-3015	30-15 2 kademeli krikol 30-15 2 Stage Jack	+8/12	30	15	705	1010	175	240	305	310	1550	52,5 kg

HİDRO PNÖMATİK KRİKOLAR

HYDRO PNEUMATIC JACKS



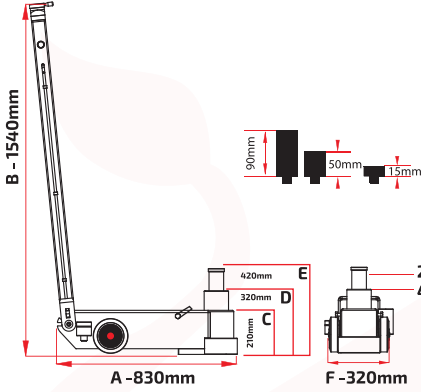
HK-3015



www.muratticaretim.com

HİDRO PNÖMATİK KRİKOLAR

HYDRO PNEUMATIC JACKS



HK-4020



KOD CODE	MODEL MODEL	BAR BAR	1.KAD. (TON)	2.KAD. (TON)	A (mm)	B (mm)	C (mm)	D (mm)	E (mm)	F (mm)	G (mm)	AĞIRLIK WEIGHT
HK-4020	40-20 2 kademeli kriko 40-20 2 Stage Jack	+8/12	20	40	830	1540	210	320	420	320	2190	73,5 kg

HİDRO PNÖMATİK KRİKOLAR

HYDRO PNEUMATIC JACKS



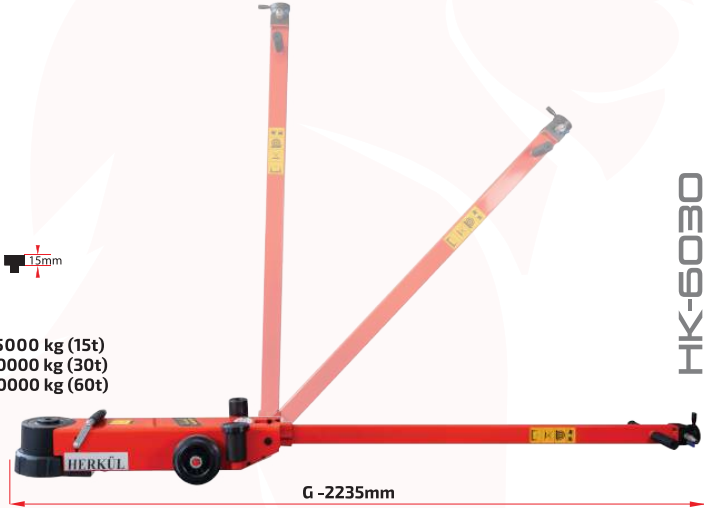
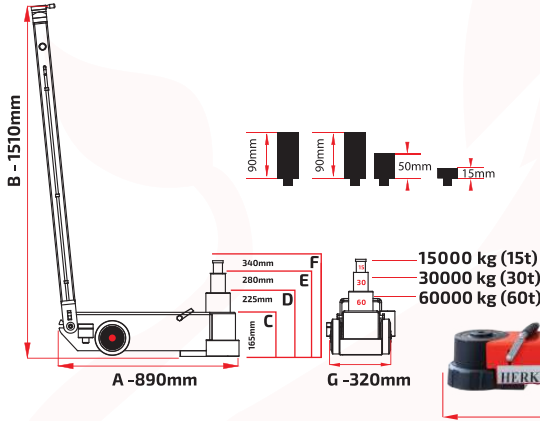
HK-4020



www.muratticaretim.com

HİDRO PNÖMATİK KRİKOLAR

HYDRO PNEUMATIC JACKS



KOD CODE	MODEL MODEL	BAR BAR	1.KAD. (TON)	2.KAD. (TON)	A (mm)	B (mm)	C (mm)	D (mm)	E (mm)	F (mm)	G (mm)	H (mm)	AĞIRLIK WEIGHT
HK-6030	60-30-15 3 kademeli kriko +8/12 60-30-15 3 Stage Jack		30	15	705	1010	175	240	305	340	320	2235	77,5 kg

HİDRO PNÖMATİK KRİKOLAR

HYDRO PNEUMATIC JACKS



HK-6030



www.muratticaretim.com



HİDRO PNÖMATİK KRİKOLAR

HYDRO PNEUMATIC JACKS

Ürün Kataloğu

Product Catalogue

2022

Herkül Hidrolik Pnömatik Kriko Murat Ticaret
Merkez : Aslım Sanayi Sitesi Hacıyusufmescid mahallesi
Mevlevi caddesi no:20/j Karatay/Konya
Şube:Fevzi çakmak mahallesi 10563 sokak no :43 Karatay Konya
Tel: 0332 342 4196 GSM: 0536 278 6424
Mail:info@muratticaretim.com

Herkul Hydraulic Pneumatic Jack Murat commerce
Center: Aslım industry area Hacıyusufmescid
neighborhood,Mevlevi Street No:20/j Karatay/Konya
Branch:Fevzi Çakmak neighborhood,10563 Street no :43 Karatay/Konya
Tel: +90(332) 342 4196 GSM: +90(536) 278 6424
Mail:info@muratticaretim.com